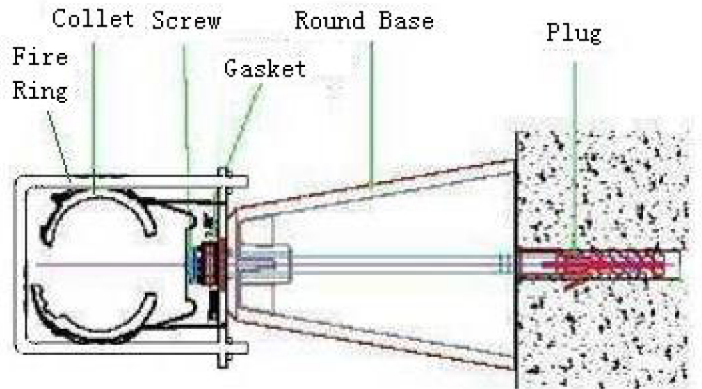


1/2 " Leaky Cable Clamp Inner Fireproof Low



Description and Characteristics

Clamps are used for installing leaky cables in road tubes, low speed (< 100 km/h) railway tunnels or indoor coverage. The installation is very simple, safe and efficient. Made up of card bundle and fixed components. Lock with 1 locking position; Simply pushed in by hand, clamp will grip and lock by pressing slightly; Halogen free.

Material and Dimensions

Material and Dimensions		
Collet	PA	ID14.3~16.8mm
Round Base	PA	High 80mm
Screw	Stainless Steel	M5×125 mm
Plug	PA	Φ6×30mm
Fire Ring	Stainless Steel	M5

Property

Property	
Matched Cable	1/2"
Color	Black
Operate Temperature	-40℃~+80℃
Install Temperature	-20℃~+60℃
Low Temperature	No fracture, cracks or yield
High Temperature	No fracture or cracks
Variable humidity and heat	No fracture, cracks or yield
Salt-fog	No appearance defect
Solar Radiation	No fracture, cracks or yield
Wear	TB/T2542 Compliant
Flaming	TB/T2408 HB Compliant
Pull-out Force	≥150N
Tensile Force	≥540N
Shear Force	≥590N
Flexural Force	≥720N
RoHS	Compliant

Installation Example

