

# POYNTING

BEYOND A CONNECTED LIFE

---

## PUCK-V1

---



## User Guide

Revision 2.0



# Index

---

1.	Packing Check List	4
2.	Introduction	9
3.	Antenna Mounting Precautions	15
4.	Cable Routing	15
5.	Safety	16

# 1. Packing Check List

Item	Description	Quantity
1.	*PUCK-V1 Antenna Only	1
2.	M4 x 10mm Flat Head Stainless Steel Screws	4 (Attached to the antenna)
3.	35mm Threaded Spigot	1 (Attached to the antenna)
4.	75mm Threaded Spigot	1
5.	Magnetic Base	1
6.	Pole/Wall Mount Bracket	1
7.	Plastic Nut	1 (Attached to the antenna)
8.	Adhesive Foam Seal	1 (Attached to the antenna)
9.	Grip Extenders	5** (Attached to the antenna)
10.	SMA (F) to RP-SMA (M) Adapter	2**

*\*Antenna will differ with different versions*

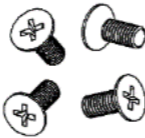
*\*\*Quantity will differ with different versions*

# Appearance of components

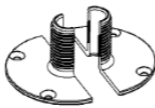
## Antenna Unit



## M4 x 10mm Flat Head Stainless Steel Screws



## 35mm Threaded Spigot



## 75mm Threaded Female Spigot



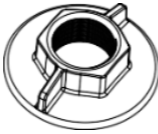
## Magnetic Base



## Pole/ Wall Mount Bracket



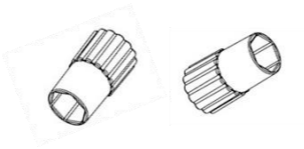
## Plastic Nut



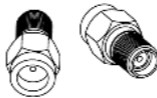
## Adhesive Foam Seal



## Grip Extenders



## \*SMA(F) to RP-SMA(M) Adapters

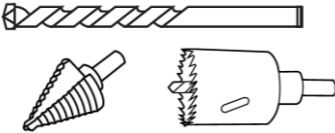


*\*Antenna with Wi-Fi only*

## Tools Required

---

Drills (Pilot drill (3mm) and Hole saw (22mm) or step drill (4-22mm))



Impact Drilling Machine



Hammer



Safety Goggles



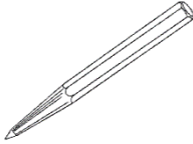
27mm Spanner/Wrench



## Masking Tape



## Centre Punch



## Drilling Template

(Available on [www.poynting.tech/downloads](http://www.poynting.tech/downloads))



## 2. Introduction

---

This User Guide provides information on the installation instructions of the Omni-directional antenna (PUCK-V1 Series).

### Antenna Configuration 1

#### Threaded Spigot Mounting

Use the Drill template below or download the 1:1 drill template from

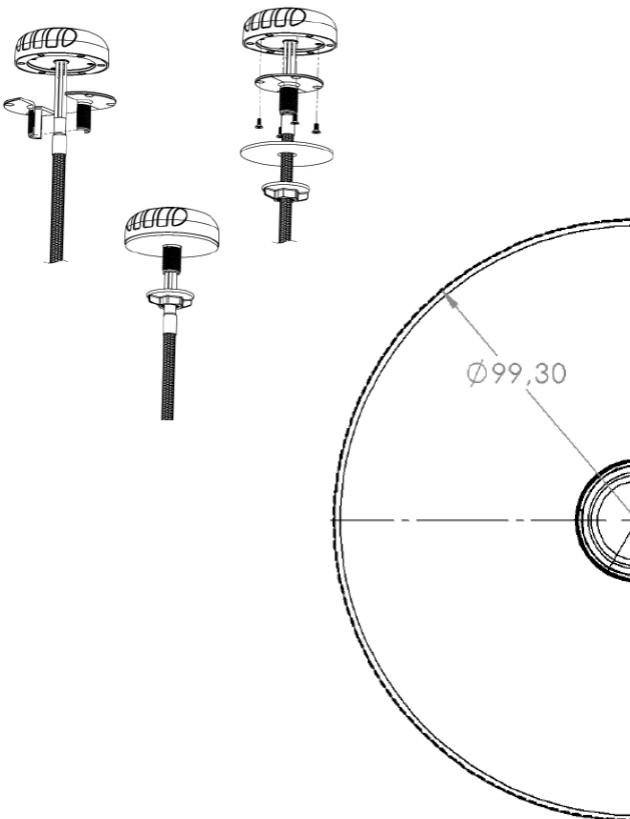
<http://www.poynting.tech/downloads>.

- Choose the mounting location carefully and a position at least 50cm from heat sources, with a clear line of sight to the sky.
- Once you have decided on the location and checked that there are no obstructions such as cables or channels below the mounting surface, for the fastening nut and cables to pass through, use the downloaded 1:1 drill template to mark the mounting location.
- To prevent the marking tool or drill sliding off course, use masking tape over the drilling point to help hold the drill point in place. The masking tape also prevents hot shavings from the drill or hole saw which could penetrate and damage the painted surface.
- Clean the entire surface on which you plan to mount the antenna. Cleaning is done so as not to damage the vehicle's paint and to ensure good contact of the foam surface to the mounting area.
- Alcohol wipes can be used to remove oil and dirt from the surface.
- The 35mm threaded Spigot should be used to secure the antenna to a surface structure of 20mm thickness or less. Likewise, the 75mm threaded Spigot should be used to secure the antenna to a surface structure of 60mm thickness or less.

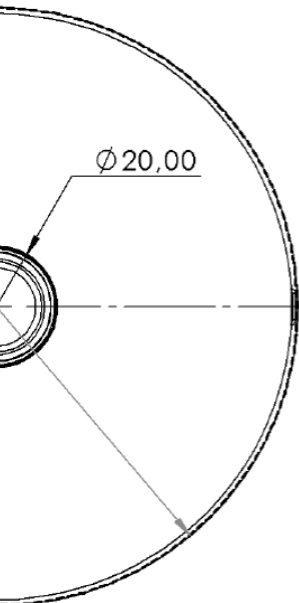
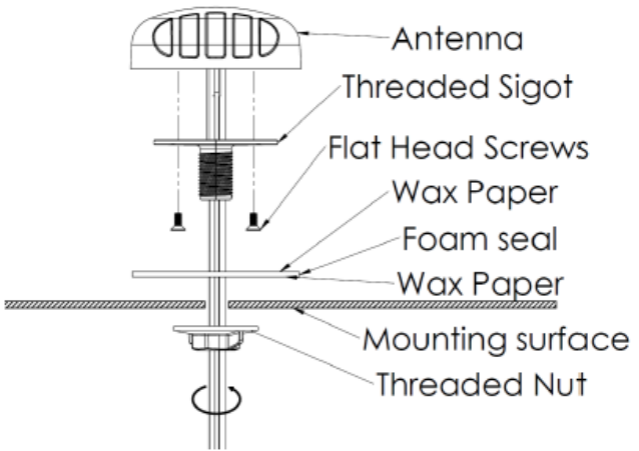
## Securing the antenna

- Fasten the required spigot with the Flat head screws.
- Clean the plastic surface of the antenna base and threaded spigot.
- Peel off one of the wax paper layers from the foam seal and stick the foam seal to the plastic surface.
- Carefully slide the cable through the hole.
- Peel off the second wax paper layer and firmly press the antenna down onto the surface.
- Tighten the nut so that it compresses the foam seal.

**Note:** Be careful not to overtighten the nut.



## Exploded View

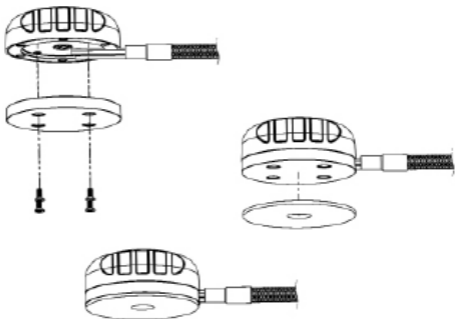


## Antenna Configuration 2

### Adhesive Mounting

- Clean the entire surface on which you plan to stick the antenna.
- Remove the nut, foam seal and short spigot from antenna.
- Secure the magnetic base to the antenna with flat head screws.
- Peel off the wax paper layer and stick the foam seal to the magnetic base.
- Peel off the second wax paper layer and firmly press the antenna down onto the surface.
- Route the cable as required.

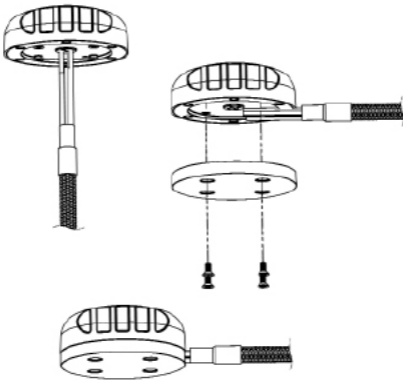
### Exploded View




## Antenna Configuration 3

### Magnetic Mounting

- Clean the entire surface on which you plan to stick the antenna.
- Remove the nut, foam seal and short spigot from antenna.
- Secure the magnetic base to the antenna with flat head screws.
- Place antenna onto magnetic surface.
- Route the cable as required.



Magnetic surface for Optional  
Magnet Base kit installation 

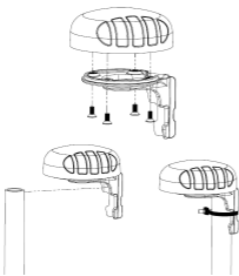
## Antenna Configuration 4

### Pole Mounting

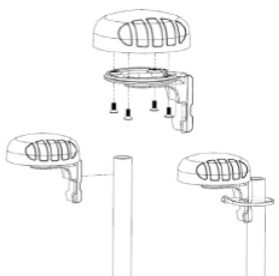
- Lay the antenna out at the installation site.
- Attach the bracket onto the base of the antenna using 4 Flat head screws.
- Secure the cable tie or hose clamp around the bracket and pole until the bracket is secured to the pole.

### Vertical Pole Mounting

#### Internal Pole Mount



#### External Pole Mount



## Horizontal Pole Mounting

Internal Pole Mount



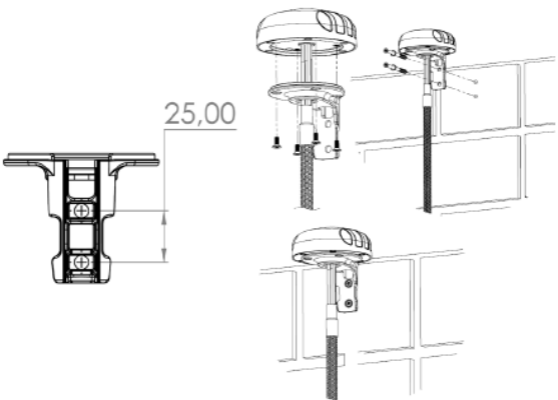
External Pole Mount



## Antenna Configuration 5

### Wall Mounting

- Select a suitable place for mounting the antenna
- Using the wall mount bracket as a guide, mark two points to drill on the wall.
- Use a masonry drill bit to drill a cable entry hole to fit the connector.
- Place the bracket over the two holes and line up the holes in the bracket with the holes in the wall.
- Insert the two knock-in screws to mount the bracket to the wall.



### 3. Antenna Mounting Precautions

---

- Place the antenna at the highest point possible and ensure that there are not any surrounding obstructions to the antenna.
- In order to avoid communication interference, ensure that the antenna is placed at least 0.5m away from other antennas and metal objects.
- Avoid installing the antenna near a chimney, as the smoke and soot emitted by the chimney can obstruct the signal level achieved by the antenna.
- Install the antenna away from heat sources and flammable gases.

### 4. Cable Routing

---

- Survey the planned cable route and look for any blocked passages. Consider alternate routes to find the best available path. Always keep the cables as short as possible to make sure that minimum cable losses are achieved.
- **Note:** Take advantage of any existing cable channels. e.g., wiring conduits to route the cables.
- Avoid running cables through components or sharp apertures that may cause excessive chafing. Doing so may erode the jacket and break signal continuity. Also, avoid kinking, pinching, or twisting a cable during a run.
- Use cable ties to secure the antenna cables.
- Cover connectors with insulation tape before threading them through a hole.

**When handling the antenna cables, it is essential you follow these basic rules:**

- Never pull on the cable connectors; pull only on the cable.
- Tighten the connectors and ensure that the cables don't rattle loose.

## 5. Safety

---

- If you are installing an antenna for the first time or unsure about how to install your antenna, obtain the help of a professional installer.
- Carefully survey the installation site before installation to locate secure handholds, dangerous conditions (such as power lines and weak roofs) and the safest and most convenient placement for ladders if necessary.
- The antenna may not be used as a climbing or pulling device.
- Considerations must be taken when mounting the antenna that people do not hang or pull on it.
- When installing your antenna, remember:
  1. Do not install on a wet or windy day or when there is lightning or thunder in the area.
  2. Wear shoes with rubber soles and heels, protective clothing (long sleeve shirt or jacket) and rubber gloves.
  3. Avoid installation while under the influence of drugs, alcohol or medication.
  4. Make sure that any loose-fitting jewelry or clothing is secured and tie back long hair



as they can get caught in moving parts during installation.

5. If the antenna assembly starts to fall, get away from it and let it fall to avoid harming yourself.
- When drilling remember:
    1. Use safety goggles when drilling the holes.
    2. Avoid using bits that are dull, bent or damaged.
    3. Be aware of where your fingers are in relation to the drill bit when using the drilling machine.
    4. To stop the drilling machine, let the drill chuck come to a complete stop on its own. Do not grasp the chuck in an attempt to stop the drill bit.
    5. Avoid awkward hand positions where a sudden slip could cause a hand to move into the drill bit or cutting tool.

**CAUTION:**

Antennas must be installed to provide a separation distance of at least 20cm from all persons so as to comply with SAR (Specific Absorption Rate) RF Exposure requirements.



European Waste Electronic Equipment Directive  
2002/96/EC

Please ensure that old waste, electricals and electronics are recycled.



Directive 2011/65/EU (RoHS 3)

This product is fully compliant with the RoHS 3 directive.

**South Africa**

Unit 4, N1 Industrial Park  
Landmarks Ave  
Samrand, 0157  
South Africa  
Tel: +27 12 657 0050  
info@poynting.tech

**USA**

1804 Owen Court,  
Suite 104, Mansfield,  
TX 76063  
Tel: +1 817 533-8130  
sales-us@poynting.tech

**Europe**

Kronstadler Straße 4,  
81677 München  
Germany  
Tel: +49 89 2080 265 38  
Mob.: +49 176 529 733 50  
sales-europe@poynting.tech